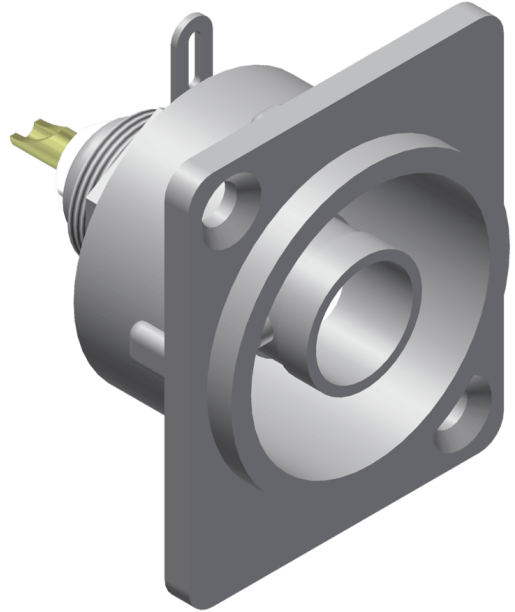


## Product information:

---

D-Size BNC female grounded connector(BNC ground, outer ring, is connected with D-size housing)



## Product Features:

---

Application	null
	null
Series	null

## Variants:

---

- VCD72 - Connector