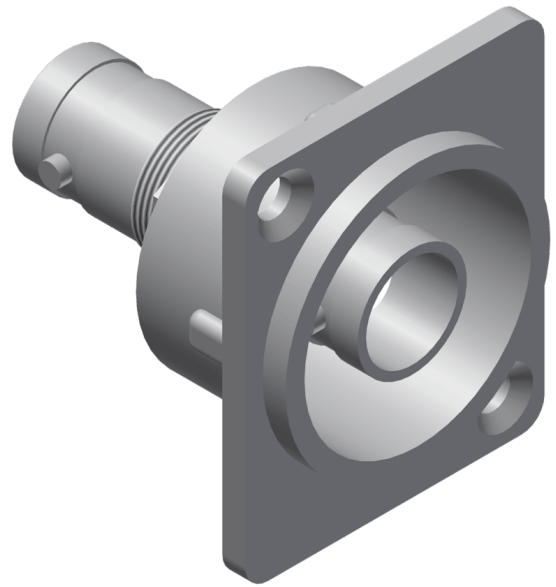


Product information:

D-Size BNC double female grounded connector (BNC ground, outer ring, is connected with D-size housing)



Product Features:

Application	null
	null
Series	null

Variants:

- VCD70 - Connector
- VCD70-P - Connector 25 pcs box